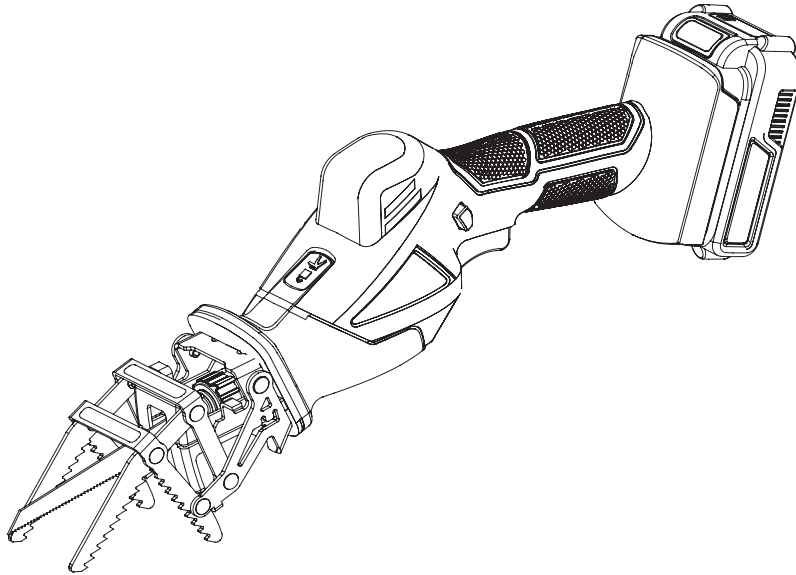


GB

20V CORDLESS GARDEN SAW

Original Instructions

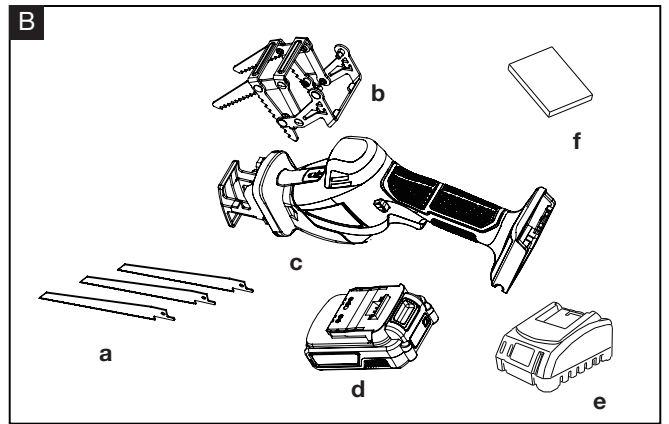
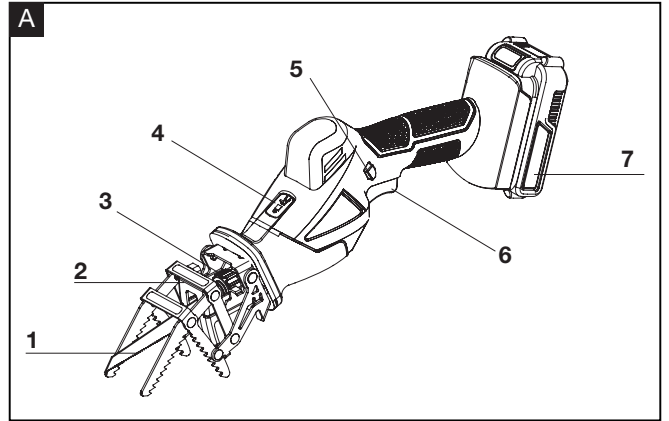


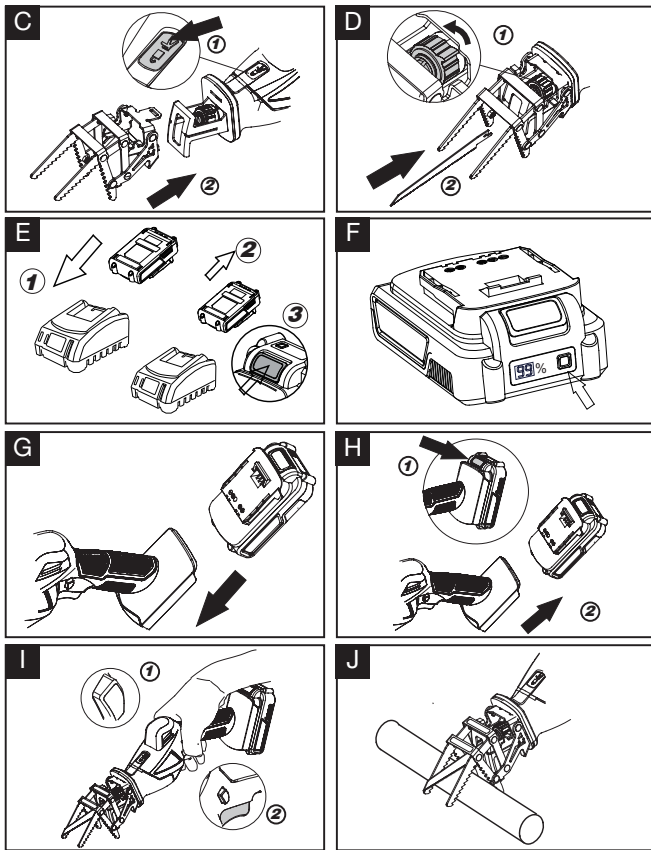
**READ & UNDERSTAND
INSTRUCTION MANUAL**

Save all warnings and instructions for future reference.



Read this manual carefully prior to assembling and operating the product. It is dangerous to operate this product without being familiar with these instructions. Keep this manual in a safe place and have it ready for future reference.





YARD FORCE

LS C08 Original Instructions

CONTENT

Intended use	06
General safety warnings	06
Product safety warnings	12
Symbols	17
Technical data	21
Description of product	22
Operation	23
Maintenance and storage	26
Troubleshooting	28
CE declaration	29

INTENDED USE

The saw is designed for cutting wood, plastic and construction materials using an appropriate saw blade. The saw is suitable for rough, straight and curved cuts as well as for level sawing. If a retaining claw is used, the saw blade can be used to saw branches.

Any other applications are expressly prohibited and are deemed improper use.

Neither the manufacturer nor the retailer can accept any responsibility for injury, loss or damage caused by misuse of this product of any kind.

GENERAL SAFETY WARNINGS

WARNING

Read all the safety notes, instructions, illustrations and technical details supplied with this power tool. Failure to follow the safety notices and instructions may result in an electric shock, fire and/or severe injury.

Keep all safety notes and instructions for future reference.

The term "power tool" used in the safety instructions refers to mains-operated power tools (corded) and battery-powered power tools (cordless).

Work place safety

- a) Keep your work area clean and well lit. Cluttered or dark areas invite accidents.
- b) Do not work with the power tool in areas with a risk of explosion where flammable liquids, gases or dusts are present. Power tools create sparks which may ignite the dust or fumes.
- c) Keep children and other persons away from the power tool while you are using it. If you are distracted, you could lose control of the power tool.

GENERAL SAFETY WARNINGS

Electrical safety

- a) The connector plug for the power tool must fit in the socket. The plug must not be modified in any way. Do not use any adapter plugs in combination with power tools with protective earthing. Unmodified plugs and matching outlets will reduce the risk of electric shock.
- b) Avoid body contact with earthed surfaces like pipes, heaters, stoves and refrigerators. There is an increased risk of electric shock if your body is earthed or grounded.
- c) Keep power tools away from rain or moisture. Water entering a power tool will increase the risk of electric shock.
- d) Do not use the cord for improper purposes such as for carrying the power tool, for hanging it up or for pulling or unplugging it from the socket. Keep cord away from heat, oil, sharp edges and moving parts. Damaged or entangled cords increase the risk of electric shock.
- e) When operating a power tool outdoors, use only extension cords that are suitable for outdoor use. Use of a cord suitable for outdoor use reduces the risk of electric shock.
- f) If operating the power tool in a damp environment cannot be avoided, use a RCD. Use of an RCD reduces the risk of electric shock.

Safety of persons

- a) Be careful, pay attention to what you are doing and approach work with a power tool in a reasonable manner. Do not use any power tool if you are tired or under the influence of drugs, alcohol or medication. A moment of inattention while operating power tools may result in serious personal injury.

GENERAL SAFETY WARNINGS

- b) Wear personal protective gear and always wear safety glasses. Protective equipment such as dust mask, non-skid safety shoes, hard hat, or hearing protection used for appropriate conditions will reduce personal injuries.
- c) Avoid accidentally activating the device. Make sure that the power tool is turned off before you connect it to the power supply and/or the rechargeable battery, pick it up or carry it. Carrying power tools with your finger on the switch or connecting the power tool to a power supply while the switch is set to "on" may lead to accidents.
- d) Remove all adjusting tools or spanners before you switch the power tool on. A wrench or a key left attached to a rotating part of the power tool may result in personal injury.
- e) Avoid an abnormal posture. Keep proper footing and balance at all times. This enables better control of the power tool in unexpected situations.
- f) Wear suitable clothing. Do not wear loose clothing or jewellery. Keep your hair and clothing away from moving parts. Loose clothes, jewellery or long hair can be caught in moving parts.
- g) If there is an option for installing dust suction devices and dust containers, these should be attached and used correctly. Use of dust collection can reduce dust-related hazards.
- h) Do not be lulled into a false sense of security and ignore the safety rules for power tools, even if you are well acquainted with power tools, having used them frequently. Using power tools without due care and attention can cause serious injuries in a split second.

GENERAL SAFETY WARNINGS

Using and handling the power tool

- a) Do not overload the power tool. Use the right power tool for your work. The correct power tool will do the job better and safer at the rate for which it was designed.
- b) Do not use a power tool if its switch is defective. Any power tool that cannot be controlled with the switch is dangerous and must be repaired.
- c) Disconnect the plug from the power source and/or remove the rechargeable battery from the power tool before making any adjustments, changing insertion tools or storing the power tool. Such preventive safety measures reduce the risk of starting the power tool accidentally.
- d) Keep unused power tools out of the reach of children. Do not let any individual who is not familiar with the power tool or who has not read these instructions operate this power tool. Power tools are dangerous in the hands of untrained users.
- e) Maintain power tools and insertion tools with care. Check to make sure that the moving parts are functioning properly and not stuck, whether parts are broken or damaged so as to affect the function of the power tool. If any parts of the power tool are damaged, have them repaired before use. Many accidents are caused by poorly maintained power tools.
- f) Keep cutting tools sharp and clean. Properly maintained cutting tools with sharp cutting edges are less likely to bind and are easier to control.
- g) Use the power tool and insertion tools, etc., in accordance with these instructions. At the same time,

GENERAL SAFETY WARNINGS

consider the working conditions and the work to be performed. Use of the power tool for operations different from those intended could result in a hazardous situation.

h) Keep handles and handle surfaces dry, clean and free from oil and grease. Slippery handles and handle surfaces will prevent you from operating and controlling the power tools safely in unforeseen situations.

Cordless tool use and care

- a) Only charge the rechargeable batteries with chargers recommended by the manufacturer. Chargers designed for a particular rechargeable battery type pose a risk of fire if used with other types of rechargeable battery.
- b) Only use the rechargeable batteries designated for use in power tools. Using other rechargeable batteries may result in injury and a risk of fire.
- c) Keep the unused rechargeable battery away from paper clips, coins, keys, nails, screws or other small metallic objects that could bridge the contacts. A short circuit between the contacts of the rechargeable battery could result in burns or fire.
- d) If used improperly, liquid may leak out of the rechargeable battery. Avoid coming into contact with it. Rinse with water in the event of accidental contact. If liquid comes into contact with your eyes, also seek medical attention. Fluid leaked from the rechargeable battery may cause skin irritations or burns.
- e) Do not use a damaged or modified rechargeable battery. Damaged or modified rechargeable batteries can be unpredictable and may result in fire, an explosion or a risk of injury.

PRODUCT SAFETY WARNINGS

- f) Do not expose a rechargeable battery to fire or excessively high temperatures. Fire or temperatures above 130 °C may cause an explosion.
- g) Carefully follow all instructions for charging the battery and never charge the battery or cordless tool outside of the temperature range indicated in the instructions. Improper charging or charging outside of the permitted temperature range may damage the battery and increase the risk of fire.

Service

- a) Only have your power tool repaired by a qualified professional and only with original spare parts. This will ensure that the safety of the power tool is maintained.
- b) Never perform maintenance on damaged rechargeable batteries. Only the manufacturer or authorised service companies may perform maintenance on rechargeable batteries.

SAVE THESE INSTRUCTIONS!

PRODUCT SAFETY WARNINGS

Safety instructions for the saw

- For your own safety, only operate the saw after you have read the safety instructions.
- Hold the saw by the insulated gripping surfaces, when performing an operation where the fitted tool may contact hidden wiring. Cutting accessory contacting a “live” wire may make exposed metal parts of the power tool “live” and could give the operator an electric shock.
- Only use sharp saw blades in proper condition. Immediately replace any cracked, bent or dull saw blades.
- Adapt fitted tools and the stroke rate to the material. Ensure an even feed motion.
- Make sure that the permissible stroke rate of the fitted tool is at least as high as the maximum number specified on the saw. Accessories that move faster than permissible may break and be projected.
- Only operate the saw if the saw shoe is mounted. When working, the saw shoe must always be positioned on the work piece.
- Only run the saw up to the work piece once it has been switched on.
- Never process material containing asbestos. Use a protective mask and dust extractor for other fibrous material.
- Do not slow down the saw blade by applying side pressure.
- Use clamping devices to secure the work piece and prevent slippage.
- Always run the cable backwards away from where you are working.

PRODUCT SAFETY WARNINGS

- During operation, always guide the saw with both hands and assume a stable posture.
- Do not expose the saw to moisture. It must not get damp and must not be operated in a damp environment.
- Prior to every use, please check the saw, the battery, the retaining claw and the saw blade. Have a specialist workshop repair damages before you use the saw.
- Wear a protective breathing mask and protective goggles when performing dusty work. Do not smoke when performing dusty work and avoid open fire.
- Wear protective gloves when handling saw blades and rough materials to cut injuries.
- Wear ear protection when performing work.
- Prior to carrying out any work, please take the battery out of the saw.
- Do not leave any tool keys inserted. Safety notes for rechargeable batteries and chargers This charger may be used by children aged eight and over as well as persons with impaired physical, sensory or mental capacities or those lacking experience and knowledge if they are supervised or have been instructed in how to safely use the charger and have understood the risks associated with operating it. Children must not play with the appliance. Cleaning and user maintenance must not be performed by unsupervised children.
- Children must be supervised to make sure that they do not play with the saw, the charging device or the battery.
- Store the battery out of the reach of children.
- Do not charge any non-rechargeable batteries.
- Stop using the cordless drill, the rechargeable battery or the charger if the plastic components exhibit cracks or

PRODUCT SAFETY WARNINGS

breaks or are deformed. Only replace damaged parts with corresponding original spare parts.

- Under no circumstances should you dismantle the charger. Repairs may only be performed by an authorised technical support team. Incorrectly performed assemblies could pose a risk of fire or electric shock.
- If the mains connection line of the charging device is damaged, it must be replaced by the manufacturer, its customer service department or a similarly qualified person in order to prevent risks.
- Only connect the charger if the mains voltage of the socket corresponds to the nameplate specification.
- Only connect the charger to an easily accessible socket, so that you can quickly disconnect it from the mains in case of a failure.
- Lay the power cable out in such a way that it does not pose a tripping hazard.
- Do not kink the mains cord and do not lay it over sharp edges.
- Never use the mains cord as a carrying handle.
- Do not operate the charging device with an external timer or separate telecontrol system.
- Do not use any adapter plugs together with the charging device.
- Do not use any extension cords unless it is unavoidable. Using an extension cord that is not suitable may result in a fire or risk of electric shock.
- Never use the charger in environments with explosive or flammable materials. There is a risk of fire and explosion.
- Always make sure there is adequate ventilation when recharging the rechargeable battery. Gases may be produced.

PRODUCT SAFETY WARNINGS

- Only charge the rechargeable battery indoors as the charger is only intended for indoor use.
- Do not place any objects on the charger and do not cover it as this may cause it to overheat. Do not place the charger near a heat source.
- Protect the charger and the battery from heat, e.g. in permanent sunlight or fire, and also protect it from water and humidity. Otherwise, there is a risk of the rechargeable battery exploding.
- Make sure that no moisture comes into contact with the charger. Otherwise there is a risk of electric shock.
- Never position the charging device in such a way that it could fall into a bathtub or washbasin.
- Never reach to retrieve the charger if it has fallen in water. In such a case, immediately disconnect the mains plug from the socket.
- Ensure that children do not insert objects into the battery or the charging device.
- Do not use the charger for purposes other than those intended. The charger is only intended for charging the same rechargeable battery also shipped with the charger.
- Do not attempt to charge the rechargeable battery with a charger other than the enclosed one. The charger shipped with this power tool and the rechargeable battery must be used together.
- Only replace the rechargeable battery with the same type or an equivalent rechargeable battery type. Refer to the chapter “Technical Data”.
- Do not allow battery fluid to come into contact with skin, eyes or mucous membranes. In the event of contact with battery acid, immediately flush the affected

PRODUCT SAFETY WARNINGS

areas with plenty of clean water and consult a doctor immediately.

- Remove the battery from the saw if you are not using the saw for an extended period. This avoids damage that could be caused by battery leakage.
- Always disconnect the charger from the power supply after use.
- Always disconnect the charger from the power supply before cleaning it.

SYMBOLS

Safety symbols

The purpose of safety symbols is to attract your attention to possible dangers. The safety symbols and the explanations with them require your careful attention and full understanding. The symbol warnings do not, by themselves, eliminate any danger. The instructions and warnings they give are no substitutes for proper accident prevention measures.

WARNING: Be sure to read and understand all safety instructions in this operator's manual, including all safety alert symbols such as "**DANGER**," "**WARNING**," and "**CAUTION**" before using this tool. Failure to follow all instructions listed below may result in electric shock, fire and/or serious personal injury.

SAFETY ALERT SYMBOL: Indicates **DANGER**, **WARNING**, or **CAUTION**. May be used in conjunction with other symbols or pictographs.

Symbol meaning

This page depicts and describes safety symbols that may appear on this product. Read, understand and follow all instructions on the machine before attempting to assemble and operate.

SYMBOLS



Read the instructions for use before use!



Wear suitable protective gloves.



Wear protective goggles.



Wear a dust mask.



WEEE symbol. Waste electrical products should not be disposed of with household waste. Please recycle where facilities exist. Check with your Local Authority or local store for recycling advice.



The product complies with the applicable European directives and an evaluation method of conformity for these directives was done.

SYMBOLS

Warning symbols on the battery pack



To reduce the risk of injury, user must read the instruction manual carefully.



Do not throw into water.



Do not throw to fire.



Do not subject the battery to strong sunlight over long periods of time. Do not leave on a heater (max.45°C).




Batteries contain Li-ion. Do not dispose of waste batteries in domestic waste. Contact local authority to find out how to dispose of batteries.




WEEE symbol. Waste electrical products should not be disposed of with household waste. Please recycle where facilities exist. Check with your Local Authority or local store for recycling advice.


SYMBOLS


Warning symbols on the charger

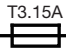
 To reduce the risk of injury, user must read the instruction manual carefully.

 The charger is for indoor use only.






 Double insulation

 WEEE symbol. Waste electrical products should not be disposed of with household waste. Please recycle where facilities exist. Check with your Local Authority or local store for recycling advice.

 The product complies with the applicable European directives and an evaluation method of conformity for these directives was done.

T3.15A
 Protective 3.15 A limited

TECHNICAL DATA

Model		LS C08
Mains voltage		20 V 
No load speed		1200 min ⁻¹
Lift:		20 mm
Max. workpiece thickness, diameter without retaining claw		95 mm
Diameter with retaining claw:		65 mm
Sound pressure level: LpA*		77 dB(A) K=4 dB(A)
Sound power level: LwA**		88 dB(A) K=4 dB(A)
Vibration front handle		8.1 m/s ² K=3.2 m/s ²
Weight:		1.7 kg
Battery pack model		B0P-SP07-20-C
Capacity		20 V  , 2.0 Ah
Charger model		VDE: B0Q-SP06-20ZA BS: B0Q-SP06-20ZB
Input		230-240 V~, 50/60 Hz
Output:		21 V  , 2.4 A

DESCRIPTION OF PRODUCT

Parts description (Fig. A)

1. Blade
2. Retaining claw
3. Saw shoe
4. Blade holder
5. On/Off switch
6. Grip for rear hand
7. Main switch
8. Battery pack
8. Safety button
9. Battery pack

Delivery contents (Fig. B)

Carefully unpack the appliance and check that it is complete. Dispose of the packaging material correctly.

- a. Blades
- b. Retaining claw
- c. Garden saw body
- d. Battery pack
- e. Charger
- f. Instruction manual



WARNING: If any parts are damaged or missing, do not operate this tool until these parts are replaced. Failure to heed this warning could result in serious personal injury.



NOTE: Always recycle the packaging in accordance with local recycling guidelines.

ASSEMBLY

Risk of injury!

Operating the sawblade or retaining claw when the battery is plugged in may lead to serious injuries.

- Ensure that the battery is not inserted into the saw when operating the saw blade or the retaining claw.

Risk of injury!

If you change the saw blades and the bracket without protection, this may lead to cuts or burns from a hot saw blade.

- Wear protective gloves when changing the saw blade.

Risk of damage!

Using improper saw blades could damage the saw.

- When changing the saw blade, make sure that you only use saw blades with the adjacent holding profile.
- Only saw blades with a 1/2 inch universal shaft may be used.

Inserting and removing the retaining claw (Fig. C)

Prior to inserting or removing the retaining claw, the saw blade must first be removed.

1. Ensure that the battery is not inserted.
2. In order to insert the retaining claw, press the locking button for the retaining claw.
3. Position the retaining claw over the saw shoe and insert the retaining claw into the receiving slot.
4. Release the locking button for the retaining claw.
5. Check whether the retaining claw is securely positioned.
6. In order to remove the retaining claw, press the locking button for the retaining claw and pull the retaining claw out of the receiving slot.

Changing the saw blade (Fig. D)

1. Ensure that the rechargeable battery is not inserted.
2. Open the saw blade holder by turning the locking mechanism of the saw blade holder in an anti-clockwise direction to the stop point and by holding it firmly in this position.
3. If applicable, remove the blade by carefully pulling it out of the receiving slot. Insert a saw blade into the saw blade receiving slot until it clicks into place.
4. Release the locking mechanism of the saw blade holder so that it automatically rotates clockwise, closing the saw blade holder.
5. Check whether the saw blade is firmly positioned and that the locking mechanism of the saw blade receiving slot can not be turned any further in a clockwise direction.

If you change the saw blade after use, remove the sawdust from the saw blade holder before hand.

OPERATION

Charging the battery pack

NOTE: Remove the battery pack from the charger after it has been fully charged.

NOTE: Battery should be fully charged before first use.

NOTE: Make sure the mains voltage is the same as rating label which is located on the charger.

1. Connect the charger to a power supply. Red LED will light up.
2. To insert the battery pack into the charger, align the raised ribs of the battery pack with the grooves of the charger then push it in. (Fig. E)
3. The red LED light of the charger will light up and then the green light flashes during normal charging.
4. After charging is complete, the charger light will turn to a solid green light.
5. Once the battery is fully charged, depress the battery release button and then remove the battery pack. (Fig. E)

Power indicator (Fig. F)

This Li-Ion battery pack is equipped with a power indicator which is used to show the battery pack's remaining charge. Press the power indicator button to check battery charge as picture showed. The indicator will stay lit for approximately 4 seconds.

To obtain the best life from the battery

1. Never allow the battery to completely discharge before recharging. The battery pack should be placed on the charger whenever the battery pack is noticeably running down or the tool no longer performs a task it previously performed.
2. Avoid conducting short charges. Make sure that the battery is fully charged each time by allowing the charger to complete its full charging cycle.
3. Avoid allowing loose items like screws or nails etc. to be stored with battery packs as these or similar items can short battery packs and cause a fire or explosion.
4. Always unplug the charger when not in use and store in a dry and secure place.
5. Avoid charging or storing your battery in temperatures below 5°C and above 45°C.
6. After use, allow the battery pack to cool down for approximately 30 minutes before attempting to recharge.

To insert the battery pack (Fig. G)

1. Align the groove on the battery pack with the corresponding ribs in the receptacle of the device.
2. Insert the battery pack with moderate force until it was locks in to place.

WARNING: Only use Yard force 20V original battery pack!

To remove the battery pack from the tool (Fig. H)

1. Press the battery pack release button.
2. Remove the battery pack from the tool.

OPERATION

Check before starting!

DANGER! Risk of injury! The device must only be put into operation if no faults are found. If any part of the device is defective, it must be replaced before the next use.

Check the safety equipment and the safe condition of the device.

- Check all parts to make sure they fit tightly.
- Check whether there are visible defects: broken parts, cracks, etc.

Switching the saw on (Fig. I)

1. Push the battery into the saw until the locking mechanism audibly clicks into place.
2. In order to switch on the saw, press the unlock button and then press the power switch.

Working with the saw

Risk of damage!

Improper handling of the saw may result in damage.

- Fasten loose workpieces with a clamping device before beginning to saw.

- When performing work, consider the maximum cutting depth of 95 mm.

- Only make plunge cuts in soft workpieces (e.g. wood).

When sawing thicker branches or trunks you must work without a retaining claw. The workpiece which you wish to saw must come into contact with the saw shoe. During work, the saw must be held with one hand on the handle and with the other hand on the handlesurface.

Working without a retaining claw

- Rock the saw slightly forwards and backwards when splitting round workpieces.

Working with a retaining claw (Fig. J)

- Hold the saw with both hands and push it downwards slightly.

Carrying out flush saw cuts

Using flexible saw blades of a corresponding length, you can saw objects which protrude from a wall, such as pipes, against the wall.

1. Position the saw blade directly against the wall.
2. Press to the side against the saw and bend it in such a way that the saw shoe pushes against the wall to the side.
3. Switch the saw on and saw through the workpiece, exerting an even amount of pressure.

Carrying out plunge cuts

1. Position the saw shoe with the lower edge on the workpiece.
2. Switch the saw on.
3. Tip the saw forwards and plunge the saw blade into the workpieces.
4. Hold the saw with both hands in a vertical position and continue to saw along the sawing line.

Switching the saw off

In order to switch the saw off, release the power switch and wait until the saw has come to a complete standstill.

MAINTENANCE AND STORAGE

Cleaning and maintenance

Risk of injury!

Improperly handling the saw may result in injury.

- Remove the rechargeable battery from the saw before beginning work on the saw.
- Let the saw cool off completely before performing work on the saw.
- Remove the saw blade before performing work on the saw and wear protective gloves to prevent cut injuries.
- Wear protective goggles when cleaning.
- After performing any cleaning and maintenance work, mount all protective devices, to the extent present, properly and safely. Never use the saw without protective devices.

Risk of short circuit!

Water that has penetrated the housing may cause a short circuit.

- Never submerge the saw in water or other liquids.
- Make sure that no water or other liquids penetrate the housing.

Risk of damage!

Improperly cleaning may lead to damage.

- Do not use any aggressive cleaners, brushes with metal or nylon bristles or sharp or metallic cleaning utensils such as knives, hard scrapers and the like. They could damage the surfaces.
- Never use a solvent to clean plastic parts.

Cleaning the saw

- Use a soft cloth or brush to clean the housing.
- Use a soft brush to remove any dust that has collected from the device openings.
- Remove dust or chips by blowing them out with compressed air.

Maintaining the saw

- Keep the saw and the vents clean to ensure proper, safe work.
- Check regularly whether dust or foreign bodies have entered the saw near to the motor and around the power switch.
- Regularly lubricate all moving parts.
- Before and after each use, check the saw and accessories (e.g. saw blades) for wear and damage. Replace any accessory parts if necessary. Observe the technical requirements in the process.
- Regularly check all fixtures. They could come loose over time due to vibration.

If you identify any damage, you must have it repaired by a specialist workshop to prevent risks.

Repairs

There are no parts that can be repaired by the user inside the saw. If you identify damage, contact a specialist workshop or qualified personnel. Repairs performed by the user and opening the housing void your warranty claim.

If the mains cord of the charger is damaged, it must be replaced by a special network

MAINTENANCE AND STORAGE

cable which can be obtained from the manufacturer or the manufacturer's customer service department. The mains cord may only be replaced by a specialist workshop or qualified specialist personnel.

Storage

- Remove the rechargeable battery from the saw.
- Clean the saw before storing it (see chapter "Cleaning and maintenance").
- Store the saw and accessories in a dry, frost-free place. The perfect storage temperature ranges from 10 to 30 °C.
- If possible, store the saw in the transportation case.
- Always store the saw out of the reach of children.
- Check the saw for possible signs of wear and damages before using it again.
- If a lithium ion battery has been stored over a longer period, the charge level must be regularly checked.

Transport

Risk of injury!

Incorrect transport may result in cut injuries.

- Remove the saw blade before transport. Proceed as follows:
- Switch the saw off and remove the battery from the saw before transporting it.
- Always carry the saw using the handle.
- Always use the transportation case to transport the saw.
- Secure the saw against slipping and tilting. If necessary, mount transport guards.
- Protect the saw against damage and intense vibrations, which could occur particularly when transporting it in vehicles.

MAINTENANCE AND STORAGE

Problem	Possible cause	Solution
The LEDs on the charger do not light up.	The mains plug or the rechargeable battery have not been correctly inserted.	Check whether the mains plug of the charger has been correctly inserted into the mains socket.
		Check whether the battery is securely positioned in the charging compartment and is in contact.
The battery life is too short.	The battery is not correctly charged.	The battery only reaches its maximum charge level and its maximum duration after 4 to 5 charge cycles.
The saw will switch off when working.	The rechargeable battery is almost empty and must be charged. When the battery is completely charged, it may be that the thermal voltage protection of the battery has been activated. This may happen if the saw is used over a longer period.	Let the rechargeable battery stand in the charger for an hour. This time is necessary so that the battery can cool off and the protective circuit can be reset.
Sparks can be seen through the air vents.	/	This is normal and absolutely no cause for concern.
The saw has no power.	The charger has not been inserted.	Connect the charger with a properly installed socket.
The saw blade is coming loose.	The saw blade has not been inserted correctly.	Insert the saw blade as far as possible into the saw blade holder.
	The locking mechanism of the saw blade holder 4 has not been returned to the starting position.	Insert the saw blade as far as possible into the saw blade holder and ensure that the locking mechanism for the saw blade holder has turned clockwise to the stop point.
The saw is not sawing straight.	You are exerting too much force on the saw.	Apply less contact pressure or feed when cutting.
	The saw has not been properly adjusted for the work piece material.	Adjust the stroke rate
	The saw blade is twisted or blunt.	Change the saw blade.

CE DECLARATION

To the provisions of Council Directives

We
SUMEC UK
 Unit A&B Escrick Business Park Escrick, York YO19 6 FD/ United Kingdom

Declare that the product:
 Description: 20V Garden saw
 Model No. LS C08 / GDGS12
 Function: cutting wood, plastic


Complies with the essential health and safety requirements of the following directives:

Machinery Directive 2006/42/EC
 Electromagnetic Compatibility Directive 2014/30/EU
 EC Directive 2011/65/EU and its amendment Directive (EU) 2015/863 (RoHS)

Standards and technical specification referred to:

EN ISO 12100:2010
 EN 60745-1:2009+A11:2010 EN 60745-2-11:2010
 EN 55014-1:2006+A1:2009+A2:2011
 EN 55014-2:1997+A1:2001+A2:2008, EN 55014-2:2015 EN 61000-3-2:2014
 EN 61000-3-3:2013
 EN 50581:2012

Authorized Signatory
 Date: 18.10.2019

Signature: 
 Place: York
 Name: Mariana Hall
 General Manager

SUMEC UK Co.,Ltd.
 Unit A&B Escrick Business Park
 Escrick, York YO19 6FD/ United Kingdom



CE DECLARATION

To the provisions of Council Directives

We
MEROTEC GmbH,
Otto-Brenner-Straße 8,
47877 Willich/ Deutschland

Declare that the product:
Description: 20V Garden saw
Model No. LS C08 / GDGS12
Function: cutting wood, plastic


Complies with the essential health and safety requirements of the following directives:

Machinery Directive 2006/42/EC
Electromagnetic Compatibility Directive 2014/30/EU
EC Directive 2011/65/EU and its amendment Directive (EU) 2015/863 (RoHS)

Standards and technical specification referred to:

EN ISO 12100:2010
EN 60745-1:2009+A11:2010 EN 60745-2-11:2010
EN 55014-1:2006+A1:2009+A2:2011
EN 55014-2:1997+A1:2001+A2:2008, EN 55014-2:2015 EN 61000-3-2:2014
EN 61000-3-3:2013
EN 50581:2012

Authorized Signatory
Date: 18.10.2019

Signature: 
Place: Willich
Name: Roland Menken
General Manager

MEROTEC GmbH,
Otto-Brenner-Straße 8,
47877 Willich/ Deutschland



CE DECLARATION

To the provisions of Council Directives

We
SUMEC France Sarl
59 bis Rue du Mûrier
37540 Saint Cyr Sur Loire, France

Declare that the product:
Description: 20V Garden saw
Model No. LS C08 / GDGS12
Function: cutting wood, plastic


Complies with the essential health and safety requirements of the following directives:

Machinery Directive 2006/42/EC
Electromagnetic Compatibility Directive 2014/30/EU
EC Directive 2011/65/EU and its amendment Directive (EU) 2015/863 (RoHS)

Standards and technical specification referred to:

EN ISO 12100:2010
EN 60745-1:2009+A11:2010 EN 60745-2-11:2010
EN 55014-1:2006+A1:2009+A2:2011
EN 55014-2:1997+A1:2001+A2:2008, EN 55014-2:2015 EN 61000-3-2:2014
EN 61000-3-3:2013
EN 50581:2012

Authorized Signatory
Date: 18.10.2019

Signature: 
Place: Saint Cyr Sur Loire
Name: Rodolphe Dubois
General Manager

SUMEC France Sarl
59 bis Rue du Mûrier
37540 Saint Cyr Sur Loire, France

